

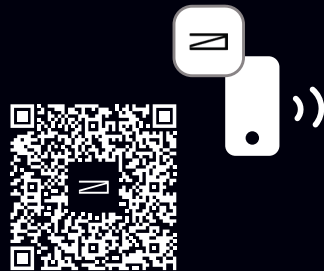


UNLOCK YOUR

VINGA

STAY AWAKE

To unlock your gear, you will have to login or create a new Awake account in our Awake Link App.



Download the Awake Link app >>

Follow the steps below to get ready and on your way to your first Awake carve!

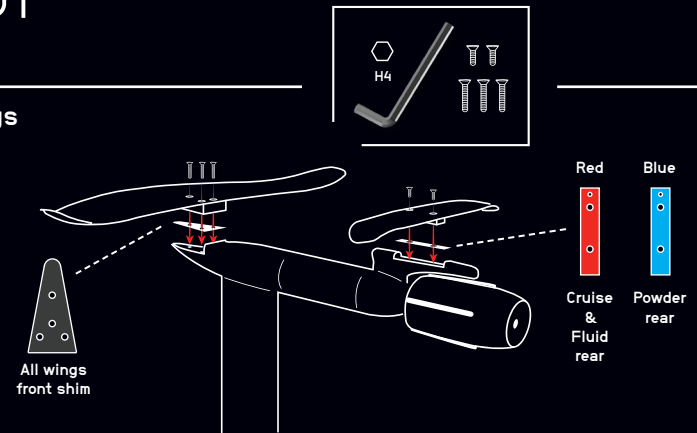
1. Place the battery on the charger
2. Register an account in the Awake Link App and add your gear
3. Activate controller and keep close to the battery lights for pairing
4. Assemble the VINGA, place and lock the fully charged battery into the board
5. Press the throttle on the controller to unleash the *power!*

Hand Controller Display

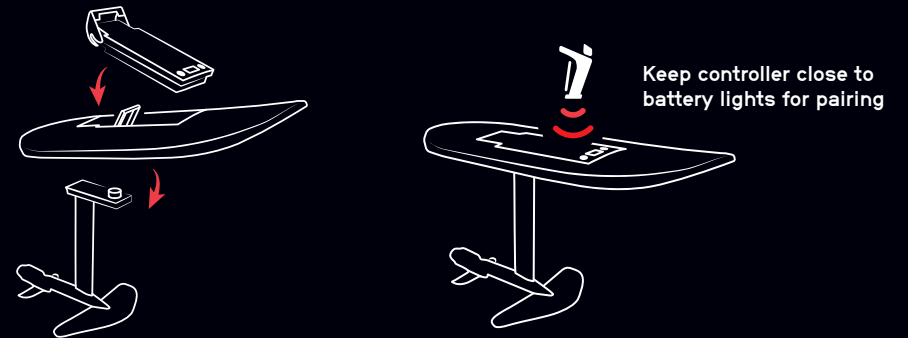


SETUP

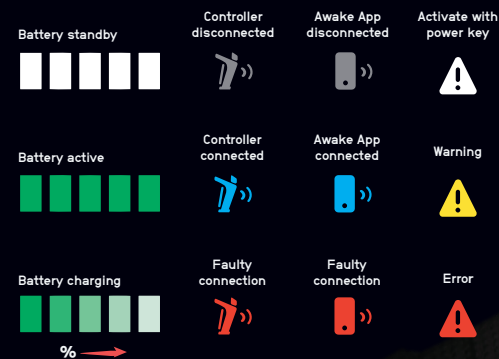
Install wings



Place the battery in the board and activate the controller



Battery Display



Magnet receptacles for the optional power key leash

